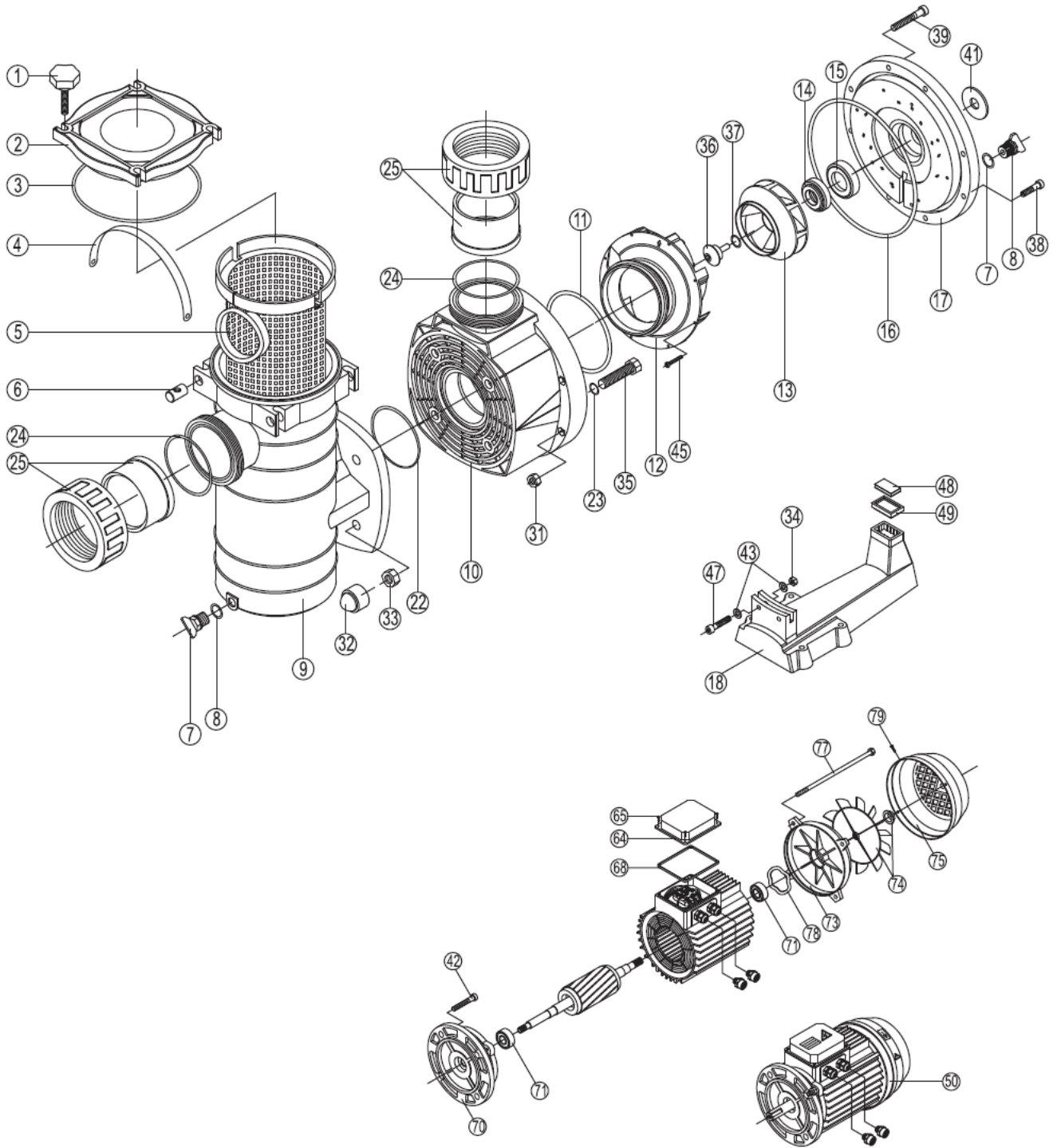


## HCP SERIES PUMP Exploded Diagram and Parts



Part Number	Description	Components	Drawing Number	Carton Quantity
HCXP6000A	LID BOLT SET (QTY. OF 4)	COVER SCREW PIN	1 6	1
HCXP6001A	PUMP LID	PUMP LID PUMP LID O-RING	2 3	1
HCXP6002A	FILTER BASKET	FILTER BASKET HANDLE	5 4	1
HCXP6003A	INTERNAL O-RING SET	DIFFUSER GASKET FLANGE O-RING IMPELLER O-RING	11 16 37	1
HCXP6004A	SEAL SET	DIFFUSER GASKET SEAL SET 14 SEAL SET 15 FLANGE O-RING IMPELLER O-RING	11 14 15 16 37	1
HCXP6005A	DIFFUSER(HCP55/HCP75)(QTY. OF 4)	DIFFUSER 501/751 SCREW DIN 7985 M3-45	12 45	1
HCXP6006A	DIFFUSER(HCP100/HCP125)(QTY. OF 4)	DIFFUSER 1001/1251 SCREW DIN 7985 M3-45	12 45	1
HCXP6007A	IMPELLER HCP55	IMPELLER 501 - 60HZ IMPELLER STOPPER IMPELLER O-RING	13 36 37	1
HCXP6008A	IMPELLER HCP75	IMPELLER 751 - 60HZ IMPELLER STOPPER IMPELLER O-RING	13 36 37	1
HCXP6009A	IMPELLER HCP100	IMPELLER 1001 - 60HZ IMPELLER STOPPER IMPELLER O-RING	13 36 37	1
HCXP6010A	IMPELLER HCP125	IMPELLER 1251 - 60HZ IMPELLER STOPPER IMPELLER O-RING	13 36 37	1
HCXP6011A	PUMP CASING (QTY. OF 4)	PUMP CASING O-RING SCREW PUMP CASING 16X3 O-RING PUMP CASING 124X4	17 23 22	1
HCXP6012A	PUMP SUPPORT (QTY. OF 2)	PUMP SUPPORT RUBBER PAD SUPPLEMENT	18 48 49	1
HCXP6013A	DRAIN PLUG SET (QTY. OF 10)	DRAIN DRAIN O-RING	7 8	1
HCXP6014A	PUMP LID O-RING (QTY. OF 10)	PUMP LID O-RING	3	1
HCXP6015A	DIFFUSER O-RING (QTY. OF 10)	DIFFUSER GASKET	11	1
HCXP6016A	FLANGE O-RING (QTY. OF 10)	PUMP CASING O-RING	16	1

Part Number	Description	Components	Drawing Number	Carton Quantity
HCXP6017A	SEAL PLATE SET	PLASTIC FLANGE DIFFUSER GASKET SEAL SET 14 SEAL SET 15 FLANGE O-RING IMPELLER O-RING FLAT GASKET	17 11 14 15 16 37 41	1
HCXP6018A	SEAL PLATE SCREW SET (QTY. OF 8)	NUT DIN934 M10 SCREW DIN 912 M10X30 SCREW DIN 912 M10X130	31 38 39	1
HCXP6019A	UNION CONNECTION SET (QTY. OF 2)	O-RING CONECTION SET CONNECTION	24 25	1
HCXP6020A	MOTOR MOUNTING SCREWS (QTY. OF 4)	SCREW DIN933 M10X25	42	1
HCXP6021A	PUMP CASING BOLTS (QTY. OF 4)	SCREW DIN933 M16X40 NUT DIN934 M16 O-RING 16X3 COVER SCREW	10 33 23 32	1
HCXP6022A	PUMP STRAINER BODY	FILTER BASKET BODY O-RING PUMP CASING 124X4	9 22	1
HCXP6023A	PUMP SUPPORT BOLT SET (QTY. OF 4)	SCREW DIN912 M8X40 WASHER DIN125 M8 NUT DIN934 M8	47 43 34	1
HCXP6024A	KIT ADAPTOR PG21-3/4" (QTY. OF 2)	PG21 BY 3/4" NPT ADAPTOR		1
HCXP55MOTOR	HCP55 MOTOR	MOTOR 60HZ HCP 55	50	1
HCXP75MOTOR	HCP75 MOTOR	MOTOR 60HZ HCP 75	50	1
HCXP100MOTOR	HCP100 MOTOR	MOTOR 60HZ HCP 100	50	1
HCXP125MOTOR	HCP125 MOTOR	MOTOR 60HZ HCP 125	50	1
HCXP6050A	BEARINGS SET-HCP55 (QTY. OF 2)	BEARING HCP 55	71	1
HCXP6051A	BEARINGS SET-HCP75/100/125 (QTY. OF 2)	BEARING HCP 75/100/125	71	1
HCXP6055A	MOTOR COVER - HCP55	FOR HCP 55 - 60HZ	73	1
HCXP6056A	MOTOR COVER - HCP75/100/125	FOR HCP 75/100/125 - 60HZ	73	1
HCXP6060A	FAN - HCP55	FAN FOR HCP 55 - 60HZ CLAMP	74	1
HCXP6061A	FAN - HCP75/100/125	FAN FOR HCP 75/100/125 - 60HZ CLAMP	74	1
HCXP6065A	FAN COVER - HCP55 (QTY. OF 4)	FAN COVER FOR HCP 55 - 60HZ FAN COVER SCREW	75 79	1

Part Number	Description	Components	Drawing Number	Carton Quantity
HCXP6066A	FAN COVER - HCP75/100/125 (QTY. OF 4)	FAN COVER FOR HCP 75/100/125 - 60HZ FAN COVER SCREW	75 79	1
HCXP6070A	MOTOR FLANGE - HCP55	MOTOR FLANGE HCP 55	70	1
HCXP6071A	MOTOR FLANGE - HCP75/100/125	MOTOR FLANGE HCP 75/100/125	70	1
HCXP6075A	ELECTRICAL CONECTION LID (QTY. OF 4)	CONNECTION BOX LID LID SCREW MOTOR CONNECTION BOX GASKET	64 65 68	1
HCXP6052A	WASHER SET - HCP55	COMPENSATION WASHER SET 6207	78	1
HCXP6053A	WASHER SET - HCP75/100/125	COMPENSATION WASHET SET 6208	78	1
HCXP6077A	MOTOR TIE RODS - HCP55 (QTY. OF 4)	MOTOR SCREWS HCP 55 MOTOR 60HZ	77	1
HCXP6078A	MOTOR TIE RODS - HCP75/100 (QTY. OF 4)	MOTOR SCREWS HCP 75/100 MOTOR 60HZ	77	1
HCXP6079A	MOTOR TIE RODS - HCP125 (QTY. OF 4)	MOTOR SCREWS HCP 125 MOTOR 60HZ	77	1