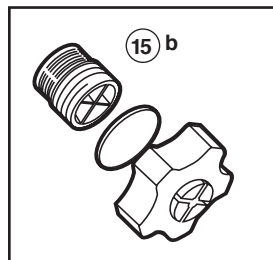
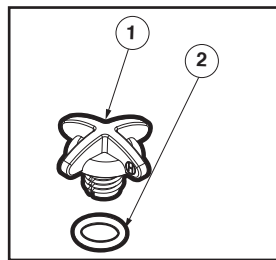
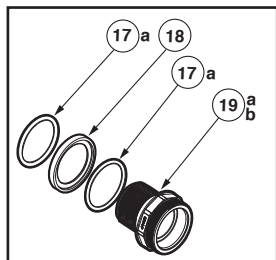
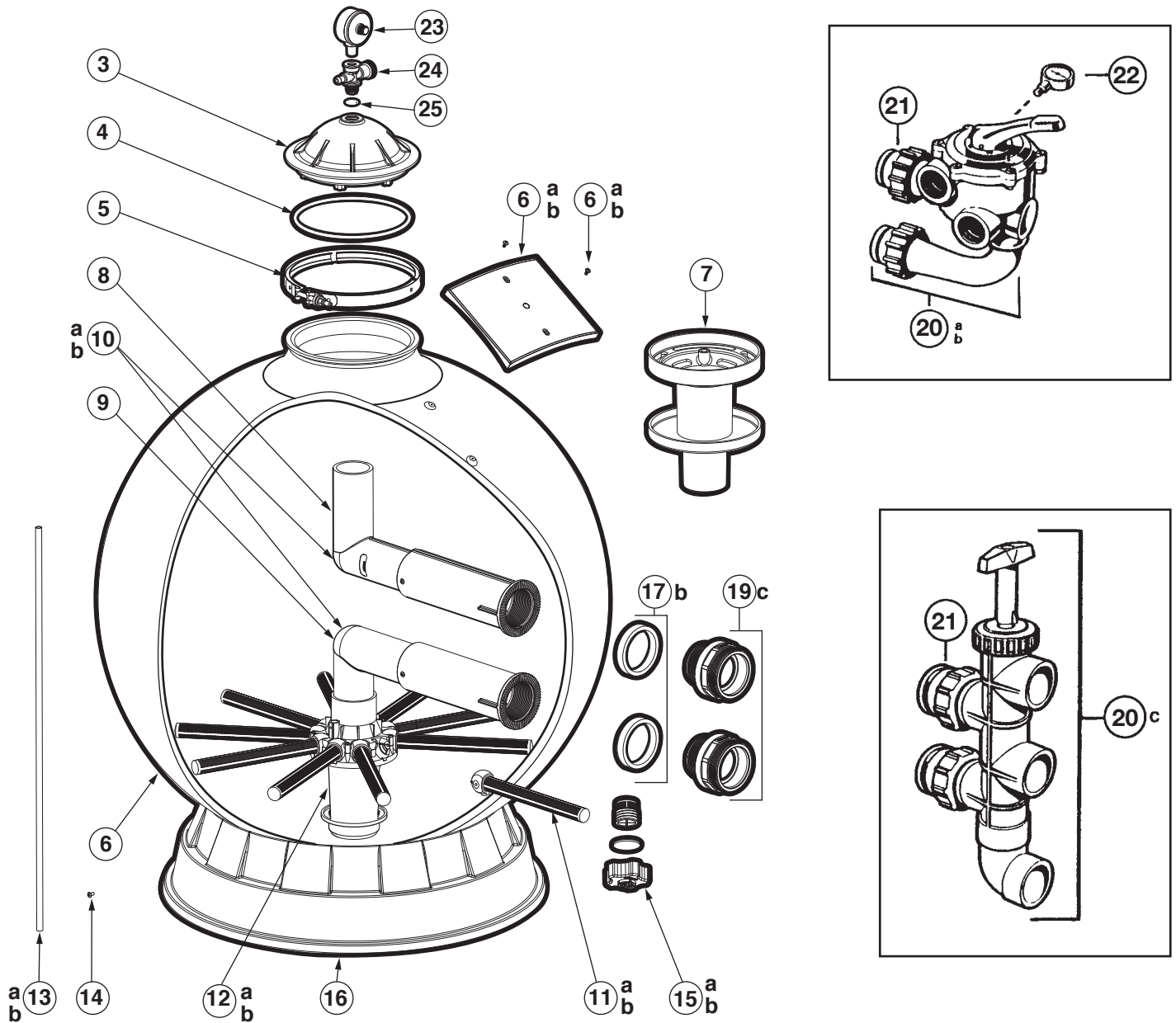


ProSeries™ Plus

S311SX, S311SXV, S360SX SAND FILTER SERIES REPLACEMENT PARTS

Parts Diagram

Filters



Drain Cap Kit

Folding Lateral Assembly

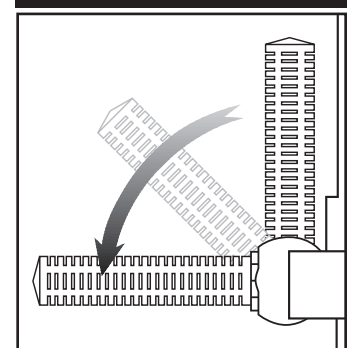


Diagram A

Parts Listing

Ref. No.	Part No.	Description	Ctn Qty.	No. Req'd
1	SX200G	Manual Air Relief	10	1
2	SX200Z5	O-Ring	50	1
3	SX244K	Top Closure Dome	5	1
4	GMX600F	Tank O-Ring	100	1
5	SX310N	Flange Clamp	5	1
6	SX311AA2FW	S311 Filter Tank with Drain Cap and Base	1	1
7	SX244G	Top Diffuser Assembly	5	1
8	SX311CD1FW	Top Elbow Assembly (S311)	1	1
9	SX311CD2FW	Bottom Elbow Assembly (S311)	2	1
10a	SX360CD	Top and Bottom Elbow Assembly (S360) (1999 and Prior)	1	2
10b	SX360CDFW	Top and Bottom Elbow Assembly (S360) (after 1999)	2	2
11a	SX310HNPAK10	Pivot/Ball Lateral (Set of 10)	10	1
11b	SX310HAPAK10	Threaded Lateral (Set of 10)	10	1
12a	SX311DA	Folding Lateral Assembly (S311) (See Diagram A)	1	1
12b	SX242MA3	Folding Lateral Assembly (S360) (See Diagram A)	1	1
13a	CX1100Z4	Air Tube (S311)	10	1
13b	SX360Z2	Air Tube (S360)	1	1
14	SX200Z2	Air Tube Lock Screw	10	1
15a	SX180HG	Drain Cap Kit (2005 and Prior)	25	1
—	SX200H	Bottom Drain Screen (2005 and Prior)	10	1
15b	SX180LA	Drain Cap Kit (See Diagram)	25	1
16	SX310J	Filter Support Stand	1	1
17a	SX360Z1	O-Ring (S311, S360 – after 1995)	25	4
17b	SX244Z1	Square Seal	25	2
18	SX360E	O-Ring Spacer (S311, S360 – after 1995)	10	2
19a	SX244P	Bulkhead Fitting (S311 after 1996, S360 after 1999) Replaced by SX244PX	10	2
19b	SX311F	Bulkhead Fitting (S360) (1999 and Prior)	10	2
19c	SX244PX	Bulkhead Fitting with Seal	10	2
20a	SP0710X62	Vari-Flo Valve Assembly – 1 1/2" FIP	1	1
20b	SP0715X62	Vari-Flo Valve Assembly – 2" FIP	1	1
20c	SP0410X602S	Slide Valve Assembly – 2" SKT	1	1
21	SX200Z4PAK2	Valve/Union O-Ring (Set of 2)	25	1
22	ECX270861	Pressure Gauge	50	1
Optional (Supplied with Model SS311XV Slide Valve Unit Only)				
23	ECX270861	Pressure Gauge	50	1
24	DEX2400S	Relief Valve/Gauge Adapter Assembly	100	1
—	DEX2400Z3A	O-Ring for Relief Valve Stem (Set of 3)	100	1
25	SX200Z5	O-Ring	50	1