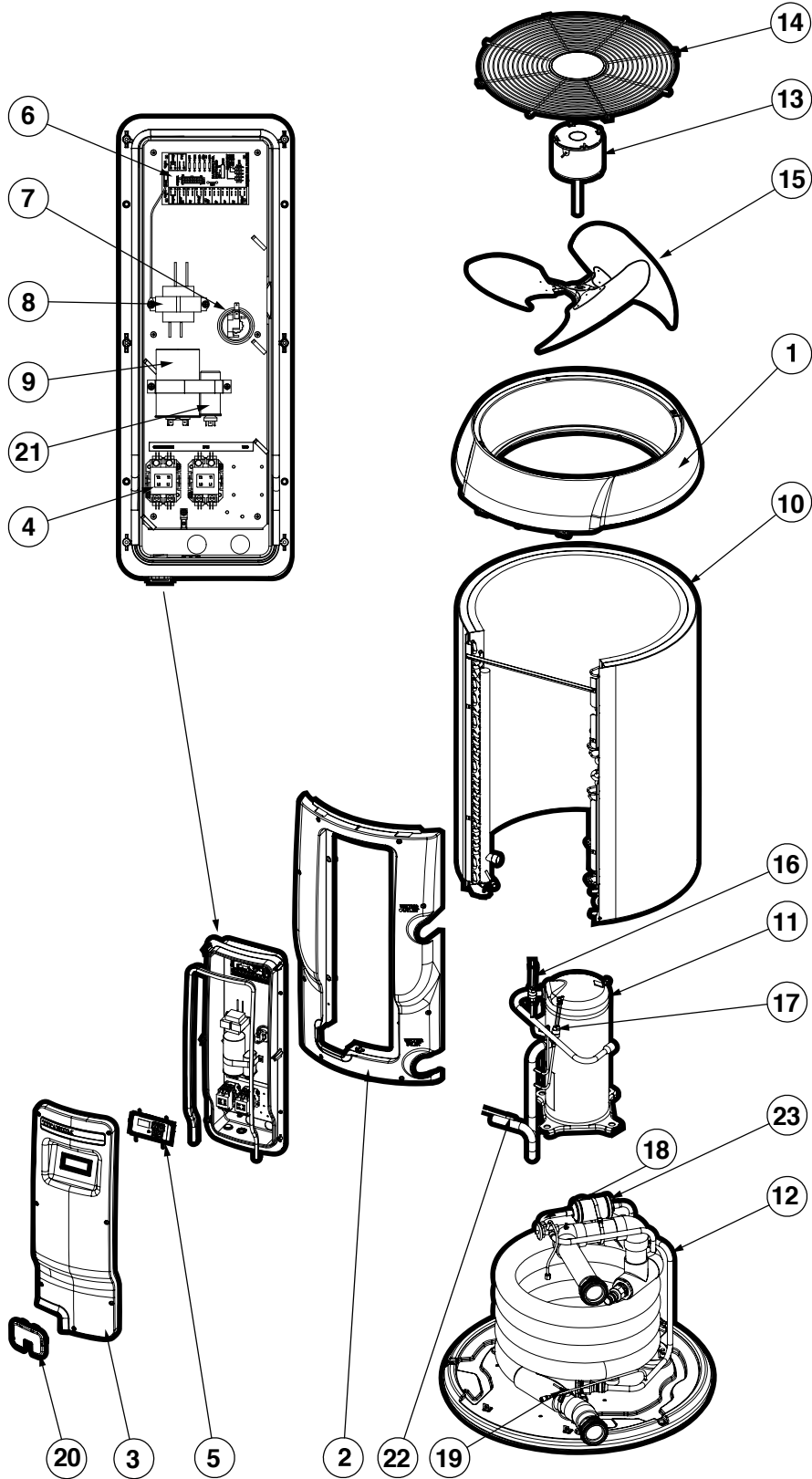


Parts Diagram: HP20654T, HP20654BT, HP20854BT, HP20854T, HP21104T, HP21104TC



Parts Listing: HP20654T, HP20654BT, HP20854T, HP20854BT, HP21104T, HP21104TC

Ref. No.	Part No.	Description
1	HPX01023502	Fan Top for HP20654T, HP20854T, HP21104T and HP21104TC
2	HPX01023503	Side Panel for HP20654T, HP20854T, HP21104T and HP21104TC
3	HPX01023505	Control Box Cover
4	HPX1985	Contactora
5	HPX26024139	Control Board Assembly
6	HPX11024130	Interface Board
7	HPX2181	Water Pressure Switch
8	HPX11023693	Transformer
9	HPX11024270	Compressor Run Capacitor for HP20654T and HP20654BT
9	HPX11024272	Compressor Run Capacitor for HP20854T and HP20854BT
9	SMX11022320	Compressor Run Capacitor for HP21104T and HP21104TC
10	HPX24024238	Bent Coil with Guard for HP20654T and HP20854T
10	HPX24024241	Bent Coil with Guard for HP21104T and HP21104TC
11	HPX11024204	Compressor for HP20854T and HP20854BT
11	SMX11012753**	Compressor for HP21104T and HP21104TC
12	HPX24012850	Condenser for HP21104T
12	HPX24012851	Condenser for HP21104TC
12	HPX24024712	Condenser for HP20654T, HP20854T, HP20654BT and HP20854BT
13	HPX11023564	Fan Motor, 1/3 H.P.
14	HPX01023561	Fan Guard
15	HPX15024321	Fan Blade
16	HPX11024258	High Pressure Switch
17	HPX11024259	Low Pressure Switch
18	HPX15012843	Thermostatic Expansion Valve for HP20854T and HP20854BT
18	HPX15012842*	Thermostatic Expansion Valve for HP21104T and HP21104TC
18	HPX15012852**	Thermostatic Expansion Valve for HP21104T and HP21104TC
19	HPX2169	Temperature Sensor
20	HPX01023760	Electrical Entry Plug
21	HPX11024151	Fan Run Capacitor
22	HPX11024169	Defrost Sensor
23	HPX1462	Filter Drier

NOT PICTURED

—	HPX10023517	HPC Cable
—	HPX02024108	Compressor Blanket
—	HPX10024732	Compressor Electrical Plug for HP20654T and HP20654BT
—	HPX10024289*	Compressor Electrical Plug for HP20854T, HP21104T and HP20854BT and HP21104TC
—	HPX10024732**	Compressor Electrical Plug for HP21104T and HP21104TC
—	SMX15026191	Hot Gas Bypass Valve for HP21104TC
—	SMXHP2215	Hose Barb Service Kit

NOTES: *Used on units prior to s/n 21131410102317001

**Used on units after s/n 21131410102458001