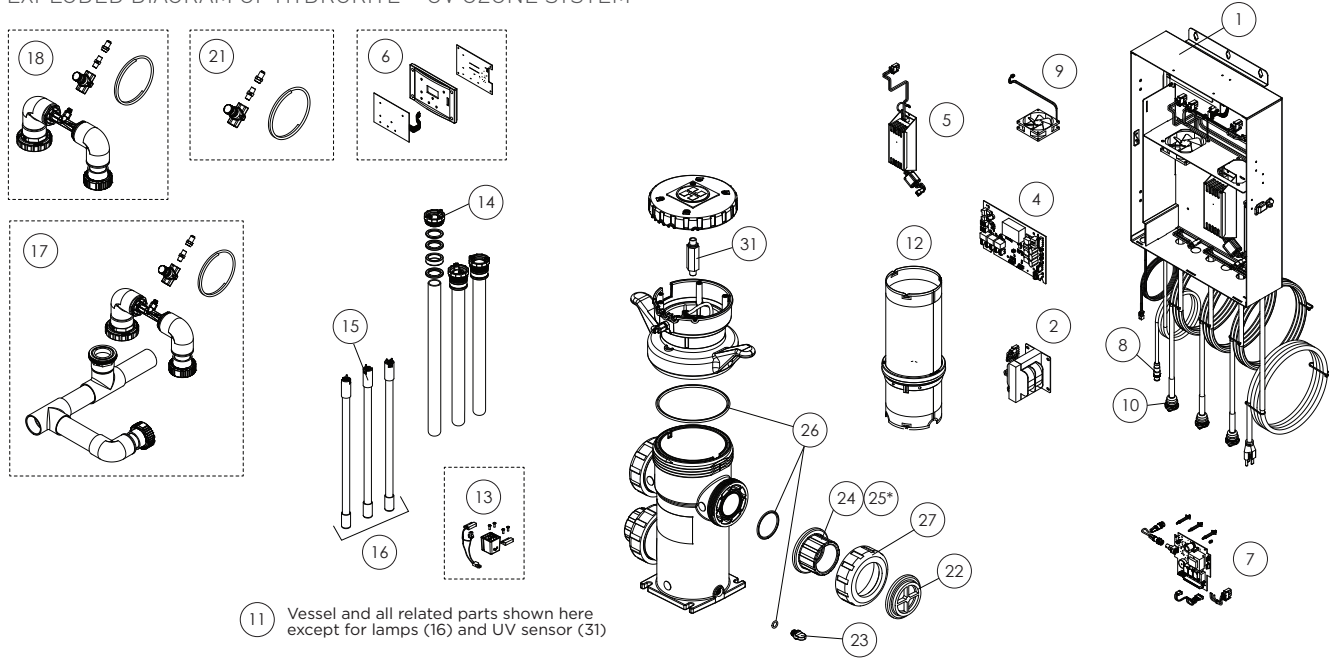


Commercial Automation

PART NUMBER	SIZE / DESCRIPTION	LIST PRICE	GTIN	CARTON QTY
CAX-20100	5 Amp Fuse	\$45.04	0761418012510	1
CAX-20101	1 Amp Fuse	\$44.76	0761418012527	1
CAX-20102	4 Amp Fuse	\$45.26	0761418012534	1
CAX-20275	10 Amp Fuse	\$46.73	0761418013135	1
CAX-20105	110 VAC Pigtail	\$74.88	0761418012565	1
CAX-20109	Thermal Printer w/Serial Interface	\$1,753.97	0761418012602	1
CAX-20110	Thermal Printer Paper Per Roll	\$29.23	0761418012619	1
CAX-20269	Thermal Printer Cable	\$200.23	0761418013074	1
CAX-20150	Replacement Coil For AC015 or AC018	\$340.83	0761418012626	1
CAX-20151	1/8" SS Solenoid Valve	\$292.35	0761418012633	1
CAX-20152	Replacement CO ₂ Injector	\$77.96	0761418012640	1
CAX-AK4010W	Stenner Lead Tube - White 100' x 1/4"	\$114.13	0761418012688	1
CAX-UCCP201-1	Stenner #1 Pump Tube (Qty of 2)	\$98.29	0761418013340	1
CAX-UCCP201-2	Stenner #2 Pump Tube (Qty of 2)	\$98.29	0761418013357	1
CAX-UCCP201-3	Stenner #3 Pump Tube (Qty of 2)	\$94.01	0761418013364	1
CAX-UCCP201-4	Stenner #4 Pump Tube (Qty of 2)	\$98.29	0761418013371	1
CAX-UCCP201-5	Stenner #5 Pump Tube (Qty of 2)	\$102.55	0761418012695	1
CAX-MCCP201-1	Stenner #1 Pump Tube (Qty of 5)	\$188.00	0761418013388	1
CAX-MCCP201-2	Stenner #2 Pump Tube (Qty of 5)	\$196.96	0761418013395	1
CAX-MCCP201-3	Stenner #3 Pump Tube (Qty of 5)	\$188.00	0761418013401	1
CAX-MCCP201-4	Stenner #4 Pump Tube (Qty of 5)	\$188.00	0761418013418	1
CAX-MCCP201-5	Stenner #5 Pump Tube (Qty of 5)	\$188.00	0761418013425	1
CAX-20200	Pressure Switch Complete w/Cable	\$154.07	0761418012718	1
CAX-20201	Pressure Switch Only	\$80.10	0761418012725	1
CAX-20280	Flow Sensor Cable Only	\$85.52	0761418012749	1
CAX-20203	Rotary Flow Sensor	\$481.50	0761418012749	1
CAX-20204	Clear Lens and O-ring	\$97.46	0761418012756	1
CAX-20205	Blue Rotor and Ceramic Pin	\$100.12	0761418012763	1
CAX-20206	Float Style Flow Switch For Molded Flow Cell	\$97.46	0761418012770	1
CAX-20250	Probe Adaptor For Professional Series Sensors	\$51.51	0761418012787	1
CAX-20251	2 - Sensor - Flow Cell Kit Without Rotary Flow Sensor	\$770.35	0761418012794	1
CAX-50251	3 - Sensor - Flow Cell Kit Without Rotary Flow Sensor	\$770.35	0610377337090	1
CAX-20252	3/8" OD Blue Flexible Tubing by the Foot	\$6.65	0761418012800	1
CAX-20271	3/8" OD Black UV Flexible Tubing by the Foot	\$3.92	0761418013432	1
CAX-20253	1/4" NPTM x 3/8" OD Speedfit Connectors	\$14.33	0761418012817	1
CAX-20254	1/4" Asahi Ball Valves	\$80.10	0761418012824	1
CAX-20255	1/4" Check Valve	\$43.02	0761418012831	1
CAX-20256	1/4" In-Line Strainer	\$70.32	0761418012848	1
CAX-20257	Flow Cell Arm Assembly	\$116.91	0761418012855	1
CAX-20258-1	PVC Backboard 10" x 14"	\$197.30	0761418012947	1
CAX-20258-2	PVC Backboard 16" x 16"	\$192.03	0761418012930	1
CAX-20258-3	PVC Backboard 16" x 21"	\$191.10	0761418012954	1
CAX-20258-4	PVC Backboard 24" x 24"	\$205.70	0761418012961	1
CAX-20260	1/4" Parker Straight Valve	\$77.19	0761418012886	1
CAX-20272	2 Sensor - Flow Cell, Molded	\$77.05	0761418013449	1
CAX-50272	3 Sensor - Flow Cell, Molded	\$77.05	0610377337106	1
CAX-20273	Cover Replacement Cover - CO ₂	\$96.37	0761418013111	1
CAX-20274	Probe Storage Cap	\$50.58	0761418013128	1
CAX-20276	Screen for 1/4" In-Line Strainer	\$10.86	0610377143233	1
CAX-3504	AC035 - PVC Crystal Suction Tube (Soft/Clear) (13' Roll)	\$25.21	0610377205504	1
CAX-3505	AC035 - PVC Crystal Suction Tube (Soft/Clear) (300' Roll)	\$167.56	0610377285612	1
CAX-3508	AC035 - 3 x 7 Santoprene® Feed Tube 6.14GPD	\$29.18	0610377205528	1
CAX-3509	AC035 - Roller Assembly	\$47.20	0610377205535	1
CAX-3510	AC035 - Foot Filter - Weighted Suction Strainer - Polypropylene - w/Ceramic Weight	\$19.77	0610377233002	1
CAX-3511	AC035 - Next Generation 1/4" Injection Check Valve	\$51.41	0610377261692	1
CAX-3512	AC035 - 3 x 7 Santoprene Feed Tube - 31GPD	\$28.07	0610377261708	1
CAX-3513	AC035 - Clear Front Cover	\$18.94	0610377258692	1
CAX-6001	Plastic, Flow Cell, Hybrid II, Machined - Unassembled, Hayward® CAT 6000™	\$554.02	TBD	1
CAX-6002	Plastic, Bracket, Mount, Wall, Hayward CAT 6000	\$61.56	TBD	1
CAX-6003	Plastic, Flow Cell Mount, Hayward CAT 6000	\$61.56	TBD	1
CAX-6004	Bracket, Flow Cell Mounting Plate, Stainless, Hayward CAT 6000	\$61.56	TBD	1
CAX-6005	Chlorine Sensor Battery Bias, Hayward CAT 6000	\$61.56	TBD	1
CAX-6006	Cable, AC Power Assembly 120 VAC, Hayward CAT 6000	\$120.65	TBD	1
HXC015	HCC2000 pH Sensor - w/Hayward Label	\$450.99	0610377142144	1
HXC025	HCC2000 ORP Sensor - w/Hayward Label	\$450.99	0610377142151	1
HXC025AU	HCC2000 ORP Sensor Gold - w/Hayward Label	\$450.99	0610377142168	1

Commercial Sanitization

EXPLODED DIAGRAM OF HYDRORITE™ UV OZONE SYSTEM



(11) Vessel and all related parts shown here except for lamps (16) and UV sensor (31)

PART NUMBER	SIZE / DESCRIPTION	LIST PRICE	GTIN	DRAWING NUMBER	CARTON QTY
HYDRORITE™ UV OZONE SYSTEM					
HYX2CCPS	2" Commercial Controller UVO - Controller Only	\$5,371.30	0610377312905	1	1
HYX2CCPS-UV	2" Commercial Controller UV - Controller Only	\$5,371.30	0610377312929	—	1
HYX2C-XFMR	2" Commercial Power Transformer - 250 VAC	\$309.02	0610377305839	2	1
HYX2CFK25	Fuse Kit for 2" Commercial Interconnect PCB - 10 Pack	\$29.67	0610377305877	3	10
HYX2CSIPCB	Interconnect PCB for 2" Commercial Controller	\$658.66	0610377305907	4	1
HYXSBCBA	Ballast and Cable Harness for 2" Commercial Controller	\$615.03	0610377305945	5	1
HYXSDIAS	Digital Display and Keypad Assembly	\$517.08	0610377305952	6	1
HYXSPCBA	PCB Assembly for Digital Display Panel	\$764.94	0610377305969	7	1
HYXSSECA	Cable Assembly for UV sensor	\$163.55	0610377305976	8	1
HYXSFANA	Fan Assembly	\$93.96	0610377305983	9	1
HYXSLACA	Cable and Connectors for UV Lamp - Lamp Not Included	\$204.72	0610377310253	10	1
HYX2CVES-C	2" Commercial Vessel Body With Unions - UV	\$1,955.21	0610377314954	11	1
HYX2CVES-U	2" Commercial Vessel Body With Unions - UV	\$1,955.21	0610377314961	—	1
GLX-HYDSLLEEVE	Stainless Steel Sleeve With O-rings for 2" Commercial Vessel	\$598.58	0610377302197	12	1
HYX-MAN2	Ozone Manifold for 2" Commercial Vessel	\$161.65	0610377314947	13	1
HYX2DQSA	Quartz Sleeve Assembly for 2" Vessel UV Lamps	\$205.13	0610377302166	14	1
HYX2DLAS	2" Commercial Lamp, UV/03- Dual Wavelength	\$251.01	0610377310697	15	1
HYX2DLAS-3PK	2" Commercial Lamp, UV/03- Dual Wavelength - Pack of 3	\$726.62	0610377312936	16	3
HYX2DLAUV	2" Commercial Lamp, UV only - Single Wavelength	\$240.07	0610377313346	—	1
HYX2DLAUV-3PK	2" Commercial Lamp, UV only - Single Wavelength - Pack of 3	\$666.86	0610377313353	—	3
HYX2DVEN-CK	Complete Venturi Kit for 2" Commercial System - No Pump	\$707.25	0610377314336	17	1
HYX2DVEN-TM	Venturi Injector for 2" Commercial System - No Pump	\$441.19	0610377314343	18	1
HYX-HCPBP	1 HP Venturi Booster Pump for Commercial System	\$618.87	0610377299350	19	1
HYX-HCPJB	Junction Box for Commercial Venturi Booster Pump	\$738.69	0610377313377	20	1
HYX2DVTA	Venturi Ozone Tube Assembly Kit	\$249.38	0610377302210	21	1
BSX1CAP2	2" Simplex PVC Port Cap - 2" Commercial Only	\$39.62	0610377122108	22	1
BSX1PLUG2	1" PVC Drain Plug	\$39.62	0610377872768	23	1
ECX12S	2" PVC Pipe Connector Socket - 2" Commercial Only	\$44.67	0610377191463	24	1
ECX12T	2" PVC Pipe Connector Threaded - 2" Commercial Only	\$35.28	0610377191470	25	1
SB2KIT	2" Vessel O-ring Kit - 2" Commercial Only	\$36.96	0610377872706	26	1
TBX122	2" PVC TB NUT - 2" Commercial Only	\$27.06	0610377776097	27	1
CAX-20100	FUSE - .5 AMP	\$45.04	0761418012510	28	1
CAX-20101	FUSE - 1 AMP	\$44.76	0761418012527	29	1
CAX-20102	FUSE - 4 AMP	\$45.26	0761418012534	30	1
HYX2SUVSE	UV Sensor 2" Commercial	\$1,028.72	0610377314329	31	1