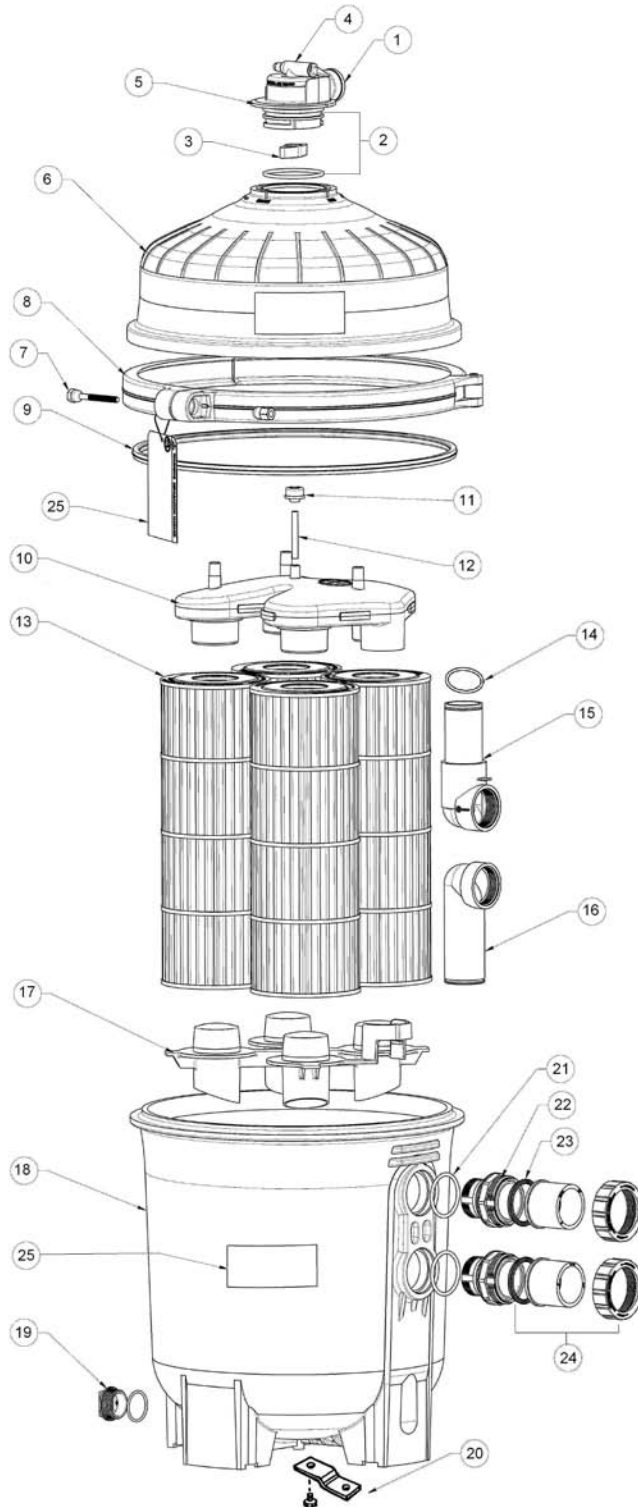


HCF SERIES CARTRIDGE FILTER Exploded Diagram and Parts



Part Number	Description	Drawing Number	Carton Quantity
ECX2712B1	PRESSURE GAUGE	1	10
DEX2420Z8A	O-RING KIT (SET OF 2)	2	10
CCX1000N	AIR RELIEF VALVE NUT	3	10
CCX1000V	MANUAL AIR RELIEF W/O-RING	4	1
DEX2420MAR2	MANUAL AIR RELIEF ASSEMBLY	5	1
DEX7220B3C	UPPER FILTER BODY HCF7030C	6	1
DEX2421J2	CLAMP BOLT & NUT	7	10
DEX2421JKIT	CLAMP SYSTEM INCLUDING: CLAMP, CLAMP NUT AND BOLT, HANG TAG, METAL REINFORCED SEAL, AND LABELS	8	1
DEX2422Z2	METAL REINFORCED SEAL	9	10
CX5030C	TOP MANIFOLD FOR HCF7030C	10	1
CX3000J1	AIR RELIEF FILTER	11	1
CX2030Z3	AIR RELIEF TUBE	12	1
CX591XRE	CARTRIDGE ELEMENT HCF7030 SERIES (8 REQUIRED)	13	1
CX7020M	MID PLATE CONNECTOR HCF7030 ONLY	-	1
DEX2400Z5	O-RING	14	1
CX3030F5	OUTLET ELBOW W/PIPE HCF7030C	15	1
CX3020FB	INLET ELBOW	16	1
CX3030D	BOTTOM SEAL PLATE	17	1
DEX2420A3C	LOWER FILTER BODY	18	1
SP1022C	1 ½" DRAIN PLUG W/O-RING	19	1
DEX2420DCKIT	STRAP KIT (OPTIONAL)	20	1
SX220Z2	O-RING	21	1
CX3035F	BULKHEAD FITTING	22	1
SPX3200UG	UNION GASKET (T-SEAL)	23	1
SPX3200UNKIT	UNION CONNECTION KIT (INCLUDES NUT, CONNECTOR, GASKET)	24	1
DEX2420LA6PAK	LABEL PACK: INCLUDES ALL WARNING AND OPERATION LABEL'S HANG TAG, WIRE TIE AND OWNER'S MANUAL	25	1