



**HAYWARD**<sup>®</sup>

## Super Pump<sup>®</sup> VS

»»» Variable-Speed Pumps

SUPERIOR ENERGY SAVINGS FROM  
THE NAME YOU KNOW AND TRUST



**EASY UPGRADE**

Super Pump® VS variable-speed pool pumps are drop-in upgrades that delivers up to 80% energy cost savings over single-speed models. Designed for small to medium pools, Super Pump VS pumps are easy, cost-effective upgrades, paying for themselves faster than larger, more expensive models.



Touch pad control can be wall mounted

Exclusive Swing-Away Hand Knobs

110 Cubic-Inch Basket



**Advanced Motor Design**

Permanent magnet, totally-enclosed fan cooled (TEFC) motor provides energy efficiency and reliability.



**PERFECTLY TAILORED PERFORMANCE**

Super Pump® VS pumps are available in both 230V and 115V models, so every pool owner can enjoy the energy efficiency of a variable-speed pump without the need for costly rewiring.

**UNRIVALED ENERGY EFFICIENCY**

Super Pump VS 115V is the most energy-efficient pump of its kind, according to EPA ENERGY STAR® third-party testing, and both models provide up to 80% energy savings over single-speed pumps. Its ENERGY STAR® rating also means local utility rebates may apply.

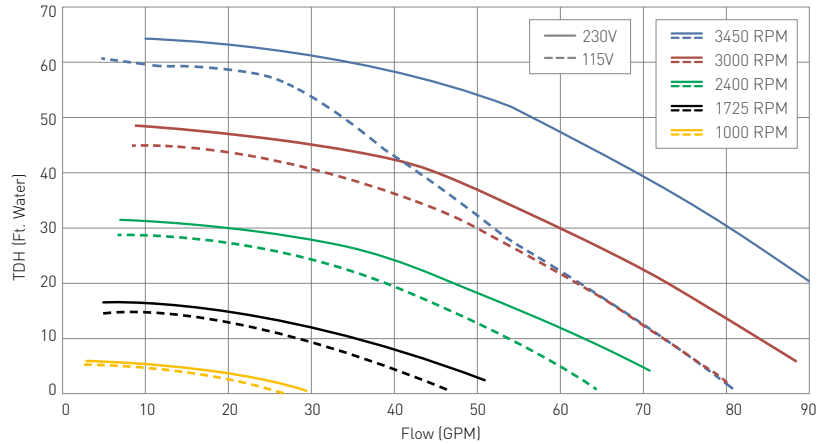
**UNIVERSAL CONTROLLER COMPATIBILITY**

Super Pump VS pumps can operate in standalone mode or with any automation system via relay control. The 230V model can be controlled with Hayward automation including OmniLogic®.

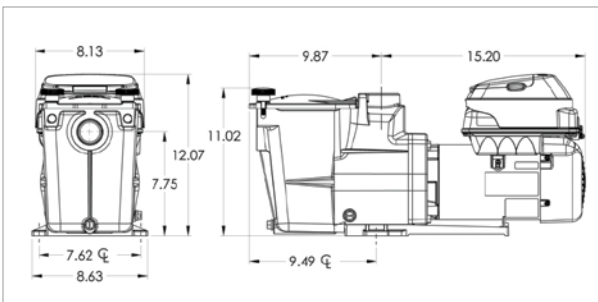
**QUIET OPERATION**

Our industry-leading hydraulic design make Super Pump VS pumps incredibly quiet, especially at lower, energy saving speeds.

**SUPER PUMP VS PERFORMANCE COMPARISON**



**SUPER PUMP VS DIMENSIONS (INCHES)**



**SPECIFICATIONS**

MODEL NUMBER	STAND ALONE	RELAY CONTROL	HAYWARD AUTOMATION	TOTAL HP	VOLTAGE
SP2603VSP	•	•	•	1.65	230V Single Phase
SP26115VSP	•	•		0.85	115V Single Phase

» hayward.com » 1-888-HAYWARD

Super Pump VS pumps are listed by: NSF c UL us

Pumps » Filters » Heating » Cleaners » Sanitization » Automation » Lighting » Water Features » White Goods

Hayward, OmniLogic and Super Pump are registered trademarks of Hayward Industries, Inc. © 2017 Hayward Industries, Inc. ENERGY STAR is a registered trademark owned by the U.S. government. All other trademarks not owned by Hayward are the property of their respective owners. Hayward is not affiliated with or endorsed by those third parties.

