

DO MORE, WITHOUT PAYING FOR MORE.

When it comes to performance and value, nothing beats Hayward TriStar pumps. With best-in-class hydraulic technology, they outpace competing pumps—even those with higher horsepower. Add to that a servicer-friendly design and an easy-clean debris basket, and it's no wonder TriStar pumps continue to set the industry standard for efficiency and value.

KEY FEATURES

- » **Superior hydraulic efficiency** delivers higher performance at lower horsepower
- » **Extra-large, no-rib debris basket** offers greater capacity for less frequent maintenance
- » **Standard union connections** (2" x 2.5") make installation and servicing fast and easy
- » **Self-priming design** offers suction lift up to 10' above waterline

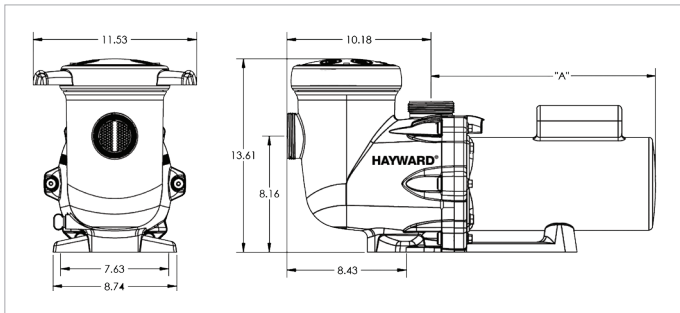


SPECIFICATIONS

MODEL NUMBER	TOTAL HORSEPOWER	VOLTAGE	UNION CONNECTIONS	DIMENSION "A"	WEIGHTED ENERGY FACTOR (WEF)*
SP3200X10	1.1	115/208-230	2" x 2 1/2"	13 5/8"	4.0
SP3250EE	5.0	208-230	2" x 2 1/2"	17 1/8"	1.7

*The higher the weighted energy factor (WEF), the more efficient the pump. Visit hayward.com/regulations for more information.

TRISTAR SERIES DIMENSIONS (INCHES)



TriStar pumps are listed by:



TRISTAR FLOW VS. TOTAL HEAD

