



## HCP 2500 Series

2" CLASS SINGLE PHASE PUMPS  
2.7 HP



3 YEAR WARRANTY



### INDUSTRY-LEADING EFFICIENCY SAVES UP TO 90% ON ENERGY COSTS.

The advanced design of the HCP 2500 (TriStar® VS C) allows it to operate at lower RPMs, reducing noise and saving energy while complying with regulations such as Title 20 and APSP-15. And with an SVRS model that's fully compliant with the Virginia Graeme Baker act, it offers best-in-class peace of mind, too.



#### THE INDUSTRY'S MOST EFFICIENT

With the industry's most energy efficient 2.7 HP pumps and advanced hydraulics in all models, plus a totally enclosed fan-cooled motor for added efficiency and reliability, HCP 2500 pumps offer superior performance for any commercial pool.



#### USER-FRIENDLY INTERFACE

HCP 2500 pumps feature a multi-position digital control interface that can be detached and wall-mounted via a 15-ft communications cable. In addition, the password-protected configuration menus allow you to easily prevent unauthorized access to timer and speed settings.



#### EASY INSTALLATION AND MAINTENANCE

With 2" x 2 1/2" union connections and interchangeable pump base options, installing or retrofitting HCP 2500 pumps is fast and simple in any application. A large, no-rib strainer basket makes debris removal easy and infrequent.



**Fully programmable digital interface** features a 24-hour clock, 8 custom speed and timer functions and password-protected settings

**Seamlessly integrates** with Hayward® OmniLogic®

**Large, no-rib strainer basket** extends time between cleanings and ensures easy debris removal

**Permanent magnet, totally enclosed fan-cooled motor** provides maximum efficiency and reliability

**2" x 2½" union connections** simplify installation and servicing

**Interchangeable pump bases** allow for easy retrofit installations



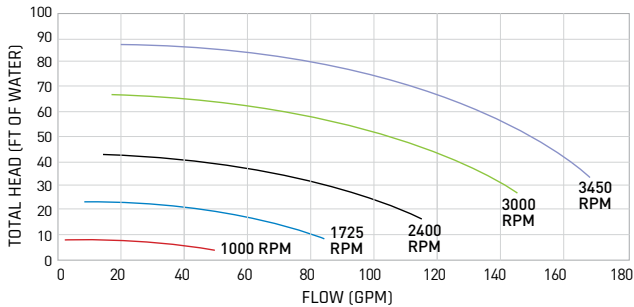
Digital control interface can be rotated on the pump or detached and wall-mounted for convenient access and viewing.

Integrated SVRS model is fully compliant with the Virginia Graeme Baker Act and features automatic restart to mitigate nuisance tripping.

### TECHNICAL SPECIFICATIONS

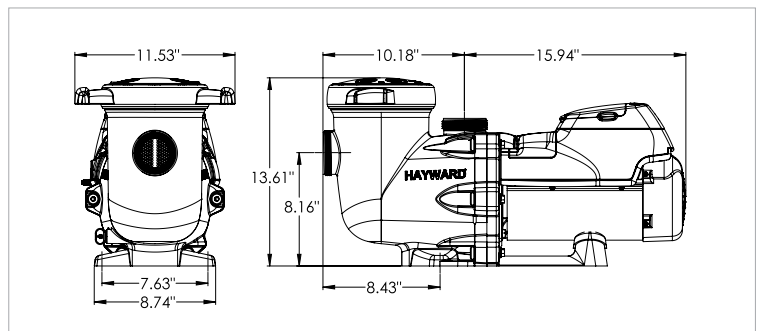
PART NUMBER	DESCRIPTION	SPEED RANGE	VOLTAGE	CARTON QUANTITY
HCP2500VSP	TriStar® VS C	600-3450 RPM	230V Single Phase	1
HCP2500VSPVR	TriStar VS C SVRS	1000-3450 RPM	230V Single Phase	1

### PERFORMANCE DATA



TriStar VS C runs efficiently in all of these ranges.

### DIMENSIONS (INCHES)



» [haywardcommercialpool.com](http://haywardcommercialpool.com) » 1-800-657-2287

HCP 2500 Series Pumps are listed by:



Hayward, Hayward & Design, the H logo, OmniLogic and TriStar are registered trademarks of Hayward Industries, Inc. All other trademarks not owned by Hayward are the property of their respective owners. Hayward is not in any way affiliated with or endorsed by those third parties. © 2018 Hayward Industries, Inc.

SPECCHCP250018

