



We Build Better.™

CrystaLogic® 120V

LED Replacement Pool Bulb

THE ENERGY-EFFICIENT
REPLACEMENT POOL BULB



SAVINGS TO BRIGHTEN UP ANY BACKYARD.

The CrystaLogic® LED Replacement Pool Bulb is a quick, cost-effective way to upgrade standard incandescent pool lights to energy-efficient, long-lasting LEDs. With simple installation that ensures seamless retrofitting into Hayward® AstroLite™, DuraLite or other 120V pool housings, it's one of the brightest ideas we've had yet.



A BRIGHTER WHITE

The CrystaLogic LED Replacement Pool Bulb has the equivalent lumen output of a typical 500W incandescent bulb—creating uniform illumination that gives any pool a clean look.



SUPERIOR ENERGY EFFICIENCY

The CrystaLogic LED Replacement Pool Bulb is designed for maximum energy efficiency, using up to 87% less energy than its incandescent counterparts.



LONG-LASTING PERFORMANCE

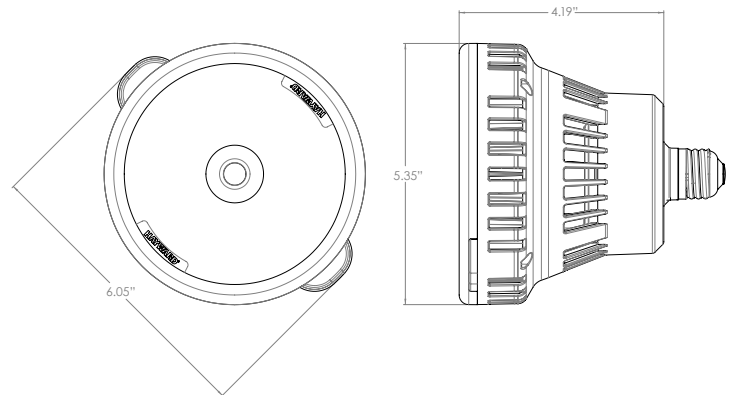
The CrystaLogic LED Replacement Pool Bulb outshines the competition by lasting 10 times longer than incandescents. And with a lower price point than other LED options, it ensures season after season of savings.

SPECIFICATIONS

Part Number	BPWUS11120
Equivalent Brightness	500W
Bulb Type	R40
Application	Pool
Warranty	1 year

LIGHTING FACTS

Brightness	4800 lumens
Life (based on 6 hrs/day)	15.98 years
Estimated Yearly Energy Cost (based on 6 hrs/day, 11¢/kWh)	\$9.64
Energy Used	40 watts



LIGHT APPEARANCE



» hayward.com » 1-888-HAYWARD

Pumps » Filters » Heaters » Sanitization » Automation » Lighting » Water Features » Cleaners » Safety