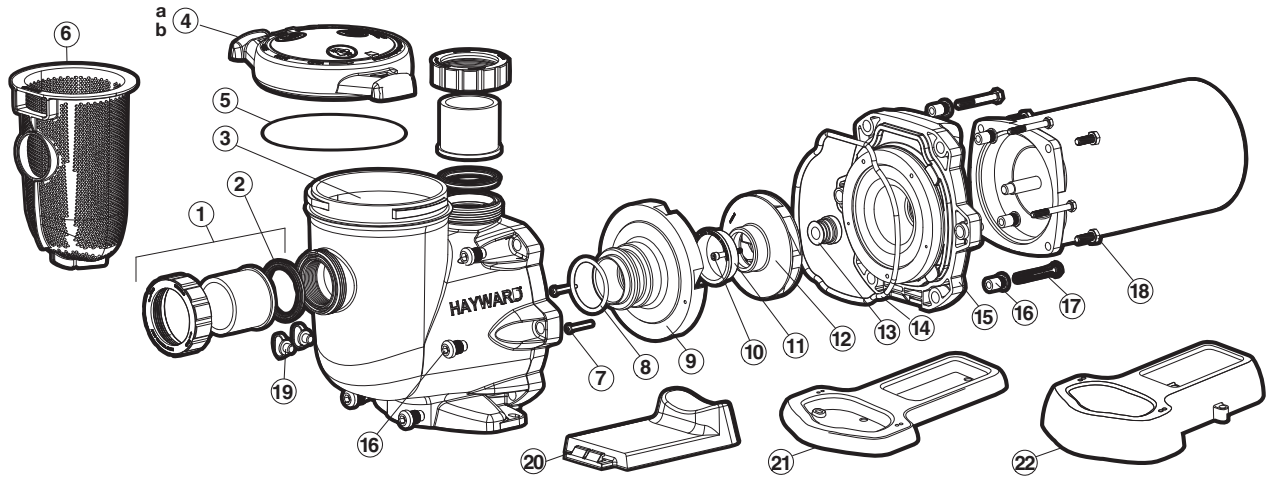


**Parts for Pump Models: SP3205EE, SP3207EE, SP3210(2)EE, SP3215(2)EE, SP3220(2)EE, SP3220G3EEV, SP3230EE, SP3250EE, SP3230G3EE**



Ref. No.	Part No.	Description	Ctn. Qty.
1	SPX3200UNKIT	Union Connector Kit (Includes Nut, Connector, Gasket)	1
2	SPX3200UG	Union Gasket (T-seal), 50 duro EPDM (2 per pack)	1
3	SPX3200A	Pump Strainer Housing, 2" x 2" with Drain Plugs, Threaded Style	1
4a	SPX3200DLS	Strainer Cover Kit (Includes Strainer Cover, Lock Ring, O-Ring)	10
4b	SPX3200DLSB	Strainer Cover Kit for Biguanide Sanitizers (Includes Strainer Cover, Lock Ring, T-Ring <b>NOT</b> Pressure Testable)	10
5	SPX3200S	Strainer Cover O-Ring	10
6	SPX3200M	Strainer Basket	15
7	SPX3200Z8	Diffuser Screws (2 per)	1
8	SPX4000Z1	Diffuser O-Ring	10
9	SPX3200B3	Diffuser	1
10	SPX3200Z1	Impeller Screw	1
11	SPX3021R	Impeller Ring	1
12	SPX3205C	Impeller for 1/2 H.P. with Impeller Screw	10
12	SPX3207CM	Impeller for 3/4 H.P. with Impeller Screw	10
12	SPX3210C	Impeller for 1 H.P. with Impeller Screw	10
12	SPX3215C	Impeller for 1 1/2 H.P. with Impeller Screw	10
12	SPX3220C	Impeller for 2 H.P. with Impeller Screw	10
12	SPX3230C	Impeller for 3 H.P. with Impeller Screw	10
12	SPX3230C5	Impeller for 5 H.P. with Impeller Screw	10
13	SPX3200SA	Shaft Seal Assembly	10
14	SPX3200T	Housing O-Ring	10
15	SPX3200E	Seal Plate	1
16	SPX3200Z211	Housing Insert and Seal Plate Spacer Kit	1
17	SPX3200Z3	Housing Bolt	10
18	SPX3200Z5	Motor Bolt	1
19	SPX4000FG	Drain Plug with O-Ring	10
20	SPX3200GA	Bracket, Motor, Support	1
21	SPX3200WF	Riser Base Aligns with Pentair® WhisperFlo® Ports	1
22	SPX3200SR	Riser Base Aligns with Sta-Rite® Max-E-Pro™, Max-E-Glas®, Dura-Glas® and Dura-Glass II® Ports	1

**Power Ends\*/Motor Part No.**

SPX3205Z1PE/SPX3205Z1BER	1/2 H.P. Energy Efficient Full Rate	1
SPX3207Z1PE/SPX3207Z1BER	3/4 H.P. Energy Efficient Full Rate	1
SPX3210Z1PE/SPX3210Z1BER	1 H.P. Energy Efficient Full Rate	1
SPX3215Z1PE/SPX3215Z1BER	1 1/2 H.P. Energy Efficient Full Rate	1
SPX3220Z1PE/SPX3220Z1BER	2 H.P. Energy Efficient Full Rate	1
SPX3230Z1PE/SPX3230Z1BER	3 H.P. Energy Efficient Full Rate	1
SPX3250Z1PE/SPX3240Z1MER	5 H.P. Energy Efficient Full Rate	1
SPX3210Z2PE/SPX3210Z2BER	1 H.P. 2 speed Energy Efficient Full Rate	1
SPX3215Z2PE/SPX3215Z2BER	1 1/2 H.P. 2 speed Energy Efficient Full Rate	1
SPX3220Z2PE/SPX3220Z2BER	2 H.P. 2 speed Energy Efficient Full Rate	1
SPX3220Z1PE3V/SPX3220Z1DRV	2 H.P. 3 phase Energy Efficient Full Rate	1
SPX3230Z1PE3/SPX3230Z1DR	3 H.P. 3 phase Energy Efficient Full Rate	1

**NOTE:** \*Power End includes Motor, Seal Plate, Seal Diffuser (includes Ref. #7-18 and Motor)

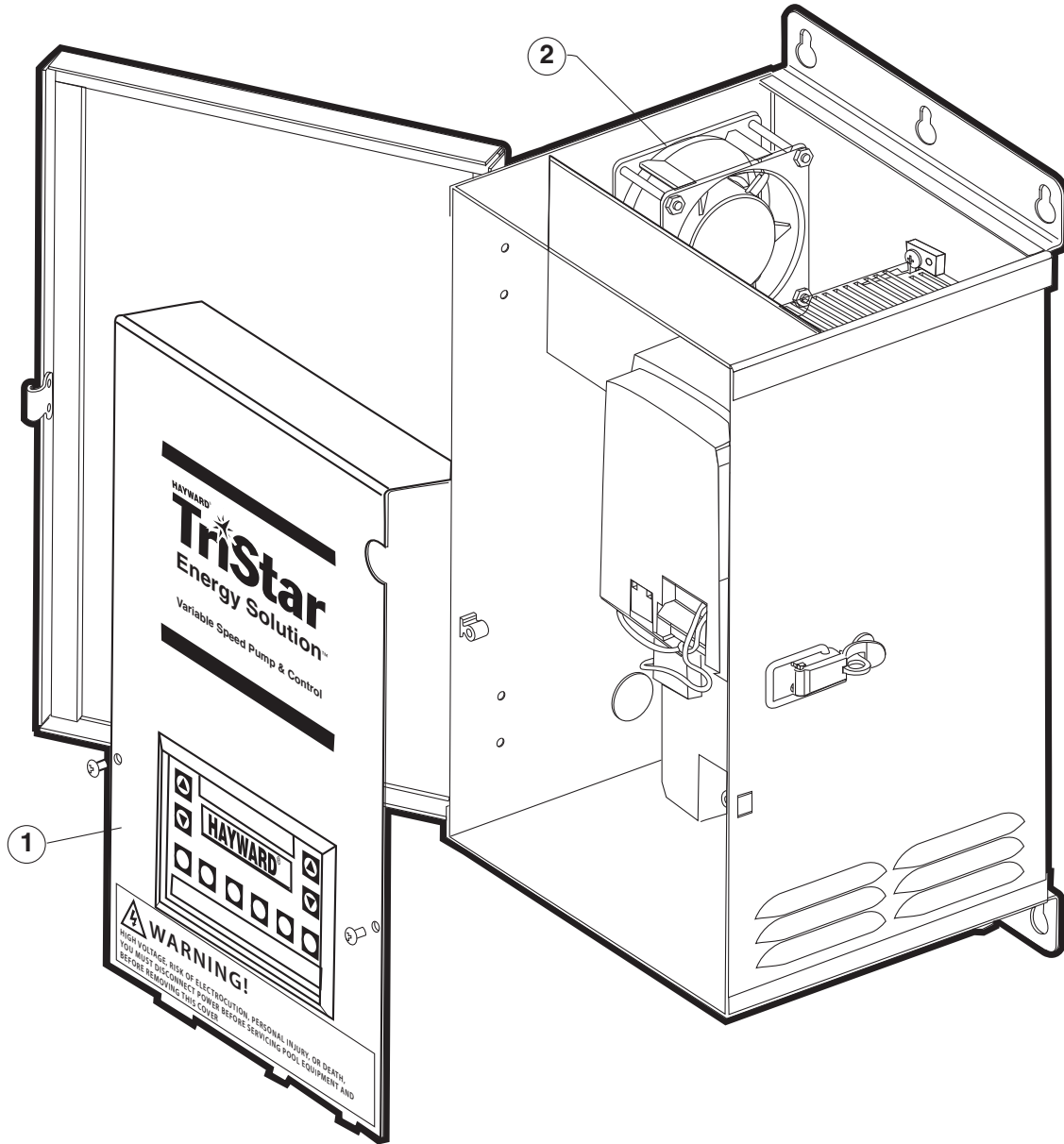


# Tristar Energy Solution®

VARIABLE-SPEED CONTROL

Pumps

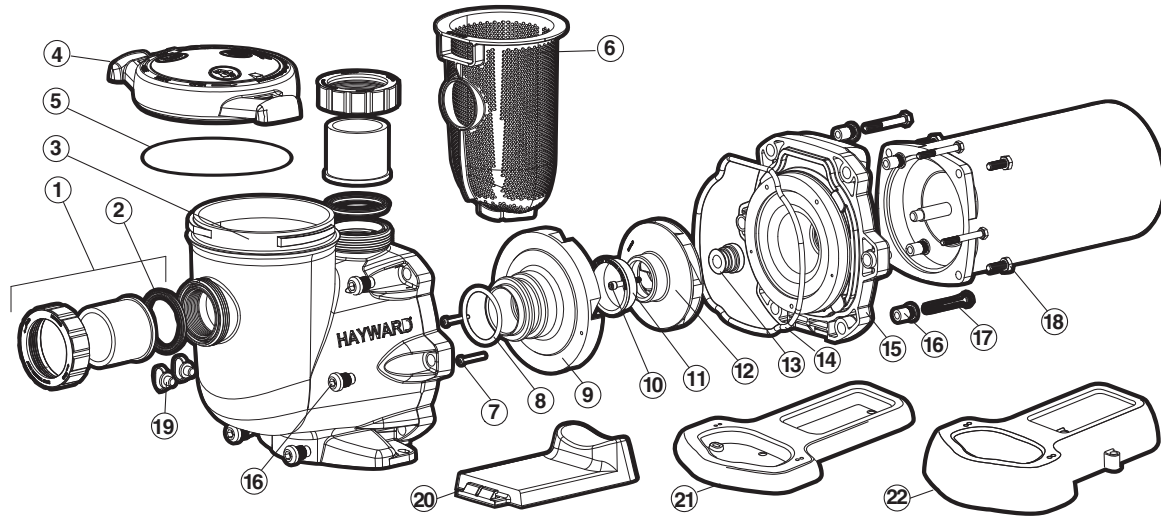
## Parts for Variable-Speed Controls: SP3220VSC, SP3220VSCAQL



Ref. No.	Part No.	Description	Ctn. Qty.	No. Req'd
1	SPX3220VSCLCD	Interface, TriStar Variable Speed Control	1	1
1	SPX3220VSCLCDA	Interface, TriStar Variable Speed Control, Aqua Logic	1	1
2	SPX3220VSCFAN	Fan, TriStar Variable Speed Control	1	1

**NOTE:** Interface assemblies include user interface board mounted to interface panel, and RS485 data cable.

Parts for Pump Models: SP3205X7, SP3207X10, SP3210X15, SP3215X20, SP3220X25, SP3225X30



Ref. No.	Part No.	Description	Ctn. Qty.
1	SPX3200UNKIT	Union Connector Kit (Includes Nut, Connector, Gasket)	1
2	SPX3200UG	Union Gasket (T-seal), 50 duro EPDM (2 per pack)	1
3	SPX3200A	Pump Strainer Housing, 2" x 2" with Drain Plugs, threaded style	1
4a	SPX3200DLS	Strainer Cover Kit (Includes Strainer Cover, Lock Ring, O-Ring)	10
4b	SPX3200DLSB	Strainer Cover Kit for Biguanide Sanitizers (Includes: Strainer Cover, Lock Ring, T-Ring <b>NOT</b> Pressure Testable)	10
5	SPX3200S	Strainer Cover O-Ring	10
6	SPX3200M	Strainer Basket	15
7	SPX3200Z8	Diffuser Screws (2 per)	1
8	SPX4000Z1	Diffuser O-Ring	10
9	SPX3200B3	Diffuser	1
10	SPX3200Z1	Impeller Screw	1
11	SPX3021R	Impeller Ring	1
12	SPX3205C	Impeller for 3/4 H.P. with Impeller Screw	1
12	SPX3207CM	Impeller for 1 H.P. with Impeller Screw	10
12	SPX3210C	Impeller for 1 1/2 H.P. with Impeller Screw	10
12	SPX3215C	Impeller for 2 H.P. with Impeller Screw	10
12	SPX3220CM	Impeller for 2 1/2 H.P. with Impeller Screw	10
12	SPX3230C	Impeller for 3 H.P. with Impeller Screw	10
13	SPX3200SA	Shaft Seal Assembly	10
14	SPX3200T	Housing O-Ring	10
15	SPX3200E	Seal Plate	1
16	SPX3200Z211	Housing Insert and Seal Plate Spacer Kit	1
17	SPX3200Z3	Housing Bolt	10
18	SPX3200Z5	Motor Bolt	1
19	SPX4000FG	Drain Plug with O-Ring	10
20	SPX3200GA	Bracket, Motor, Support	1
21	SPX3200WF	Riser Base Aligns with Pentair® WhisperFlo® Ports	1
22	SPX3200SR	Riser Base Aligns with Sta-Rite® Max-E-Pro™, Max-E-Glas®, Dura-Glas® and Dura-Glass II® Ports	1

**Power Ends\*/Motor Part No.**

SPX3205X7Z1PE/SPX3205Z1MR	3/4 H.P. Standard Efficient Max Rate	1
SPX3207X10Z1PE/SPX3207Z1MR	1 H.P. Standard Efficient Max Rate	1
SPX3210X15Z1PE/SPX3210Z1MR	1 1/2 H.P. Standard Efficient Max Rate	1
SPX3215X20Z1PE/SPX3215Z1MR	2 H.P. Standard Efficient Max Rate	1
SPX3220X25Z1PE/SPX3220Z1MR	2 1/2 H.P. Standard Efficient Max Rate	1
SPX3225X30Z1PE/SPX3225Z1MR	3 H.P. Standard Efficient Max Rate	1
SPX3210X15Z2PE/SPX3210Z2MER	1 1/2 H.P. 2 speed Standard Efficient Max Rate	1
SPX3215X20Z2PE/SPX3215Z2MER	2 H.P. 2 speed Standard Efficient Max Rate	1
SPX3220X25Z2PE/SPX3220Z2MER	2 1/2 H.P. 2 speed Standard Efficient Max Rate	1

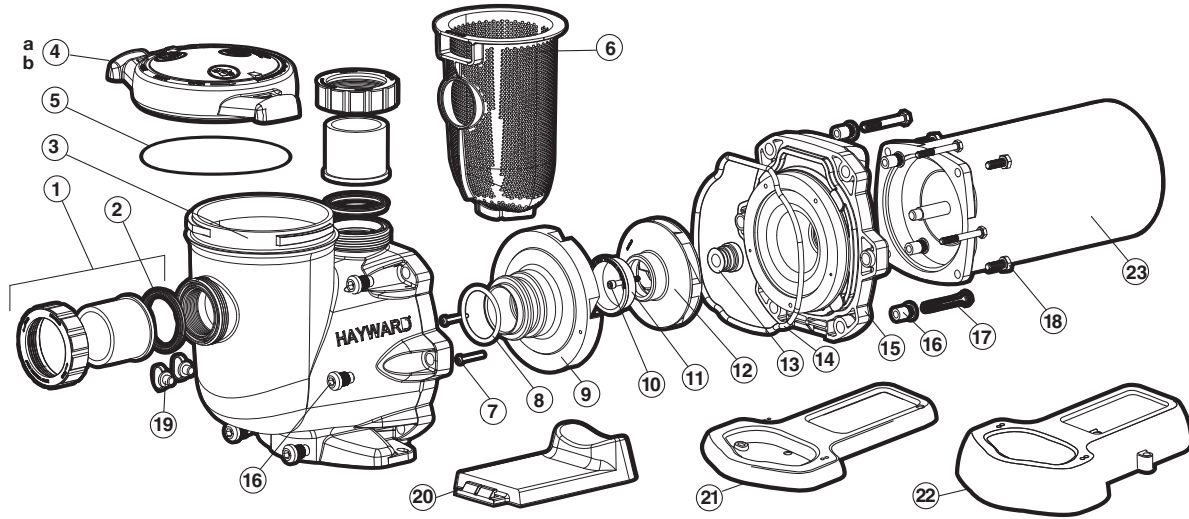
**NOTE:** \*Power End includes Motor, Seal Plate, Seal Diffuser (Includes Ref. #7-18 and Motor)



# TriStar® Waterfall Pumps

SP3600 PUMP SERIES WATERFALL (ENERGY EFFICIENT, FULL-RATED) REPLACEMENT PARTS

Parts for Pump Models: SP36075EE, SP36120EE



Ref. No.	Part No.	Description	Ctn. Qty.
1	SPX3200UNKIT	Union Connector Kit (Includes Nut, Connector, Gasket)	1
2	SPX3200UG	Union Gasket (T-seal), 50 duro EPDM (2 per pack)	1
3	SPX3200A	Pump Strainer Housing, 2" x 2" with Drain Plugs, Threaded Style	1
4a	SPX3200DLS	Strainer Cover Kit (Includes Strainer Cover, Lock Ring, O-Ring)	10
4b	SPX3200DLSB	Strainer Cover Kit for Biguanide Sanitizers (Includes Strainer Cover, Lock Ring, T-Ring <b>NOT</b> Pressure Testable)	10
5	SPX3200S	Strainer Cover O-Ring	10
6	SPX3200M	Strainer Basket	15
7	SPX3200Z8	Diffuser Screws (2 per)	1
8	SPX4000Z1	Diffuser O-Ring	10
9	SPX3200B3	Diffuser	1
10	SPX3200Z1	Impeller Screw	1
11	SPX3021R	Impeller Ring	1
12	SPX3220C	Impeller for 75 GPM with Impeller Screw	10
12	SPX3230CU	Impeller for 120 GPM with Impeller Screw	10
13	SPX3200SA	Shaft Seal Assembly	10
14	SPX3200T	Housing O-Ring	10
15	SPX3200E	Seal Plate	1
16	SPX3200Z211	Housing Insert and Seal Plate Spacer Kit	1
17	SPX3200Z3	Housing Bolt	10
18	SPX3200Z5	Motor Bolt	1
19	SPX4000FG	Drain Plug with O-Ring	10
20	SPX3200GA	Bracket, Motor, Support	1
21	SPX3200WF	Riser Base Aligns with Pentair® WhisperFlo® Ports	1
22	SPX3200SR	Riser Base Aligns with Sta-Rite® Max-E-Pro™, Max-E-Glas®, Dura-Glas® and Dura-Glass II® Ports	1
23	SPX3605Z1BER	Motor – Waterfall, 75-120 GPM	1