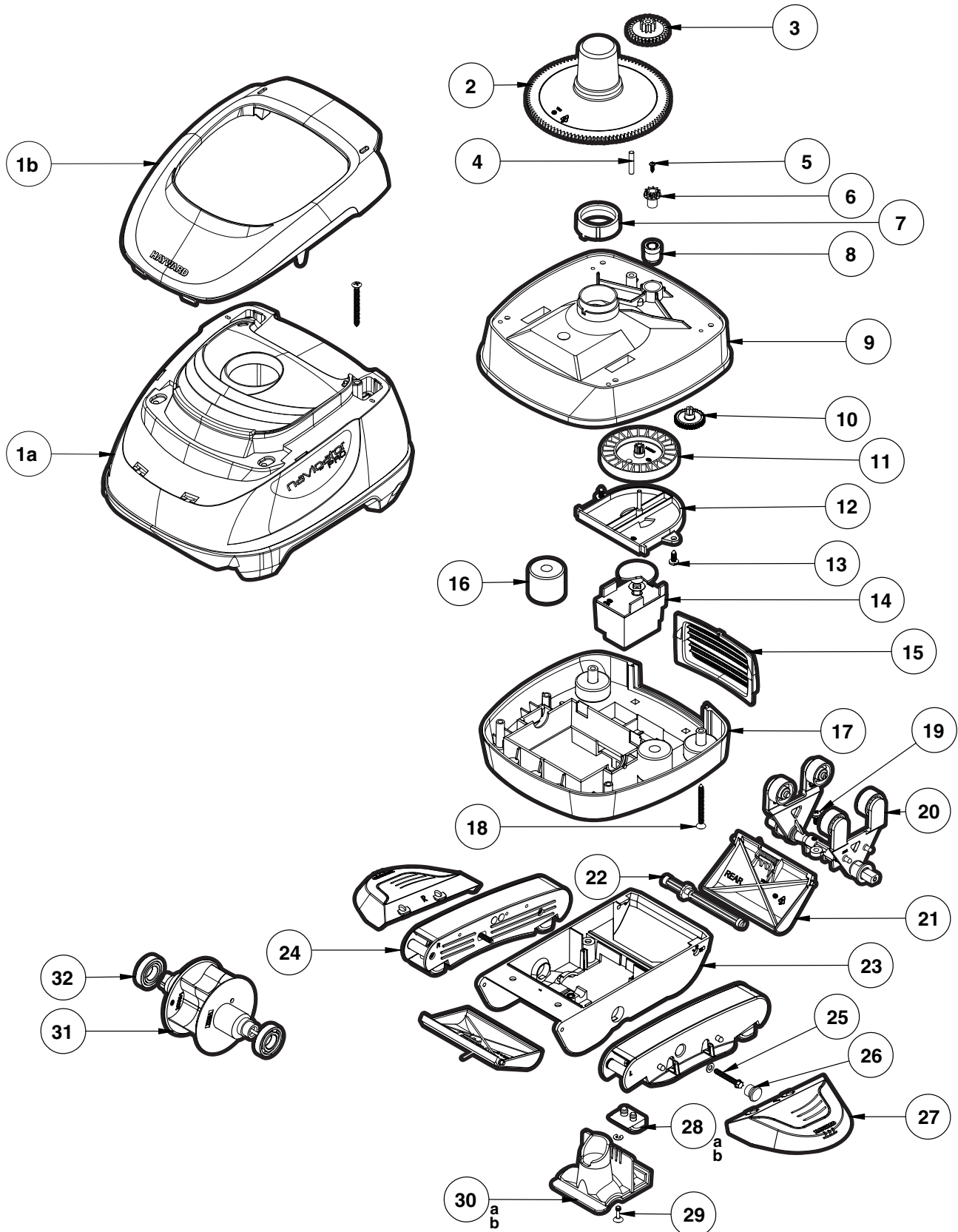




Navigator® Pro

REPLACEMENT PARTS

Parts Diagram



Cleaners

Parts Listing

| Ref. No. | Part No. | Description | Ctn. Qty. |
|----------|-------------|--|-----------|
| 1a | AXVU016 | Navigator Pro Skirt Kit | 1 |
| 1b | AXVU005 | Navigator Pro Handle Kit | 1 |
| 2 | AXV070 | Cone Gear, Clear | 1 |
| 3 | AXV301 | Inter Gear | 1 |
| 4 | AXV309 | Inter Gear Shaft | 1 |
| 5 | AXV068 | Spindle Gear Screw | 1 |
| 6 | AXV303 | Cone Spindle Gear | 1 |
| 7 | AXV306 | Cone Gear Bushing | 1 |
| 8 | AXV066A | Cone Spindle Gear Bushing | 1 |
| 9 | AXV060WH | Upper Middle Body | 1 |
| 10 | AXV064A | Medium Turbine Drive Gear | 1 |
| 11 | AXV062C | Medium Turbine | 1 |
| 12 | AXV009 | Medium Turbine Case/Axle Assembly | 1 |
| 13 | AXV065P | Upper Body Screw (6 pack) | 1 |
| 14 | AXV408P | Gear Box Assembly | 1 |
| 15 | AXVU009* | Screen Kit | 1 |
| 16 | AXV054FH | Float Kit | 1 |
| 17 | AXV050CWH | Lower Middle Body | 1 |
| 18 | AXV057P | Middle Body Screw (6 pack) | 1 |
| 19 | AXV313 | Lower Body Screw | 1 |
| 20 | AXV621DAT | Kit-Universal, Turbine/A-Frame | 1 |
| 21 | AXV434WHP** | Flap Kit (2 flaps, front and rear springs) | 1 |
| 22 | AXV031B | Flap Adjuster | 1 |
| 23 | AXV230DWH | Open Lower Body | 1 |
| 24 | AXV417WHP** | Pod Kit | 1 |
| 25 | AXSCR4008 | Pod Screw Kit (2 screws and 2 washers) | 1 |
| 26 | AXV016P | Pod Plug (6 pack) | 1 |
| 27 | AXV604WHP** | Wing Kit | 1 |
| 28a | AXV414P | Shoes, Concrete (4 pack) | 1 |
| 28b | AXV413P | Shoes, Vinyl (4 pack) | 1 |
| 29 | AXV314P | Captive Screw with Clip | 1 |
| 30a | AXV603 | Access Cover Assembly, Concrete | 1 |
| 30b | AXV603A | Access Cover Assembly, Vinyl | 1 |
| 31 | AXV602P | Turbine Kit (turbine and 2 turbine bearings) | 1 |
| 32 | AXV055P | Turbine Bearing (2 pack) | 1 |

NOTES: *Add BK to end of part number for Black.

**Remove WHP from end of part number and replace with BLK for Black.