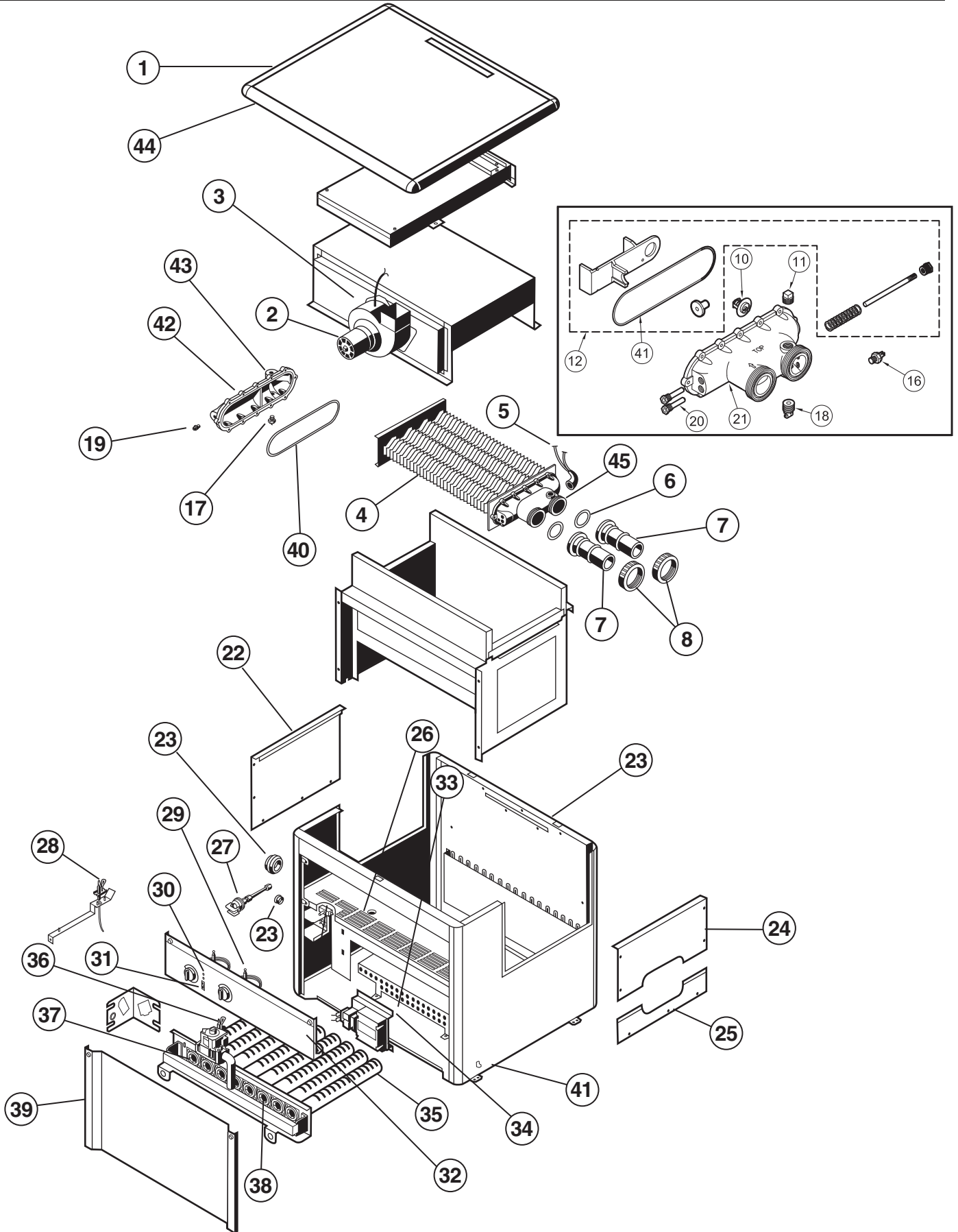




H-Series

INDUCED DRAFT HEATER REPLACEMENT PARTS

Parts Diagram





Parts Listing

Ref. No.	Part No.	Description	Ref. No.	Part No.	Description
1	IHXJKT1250	Jacket Top Assembly – H250ID1	29	HAXTST1930	Thermostat
	IHXJKT1400	Jacket Top Assembly – H400ID1	30	HAXLDK1930	LED Kit
2	IHXBWR1930	Combustion Blower	31	CHXTSW1930	System Switch
3	IHXBGL1930	Blower Gasket	32	IHXCPA1250	Control Panel Assembly – H250ID1
4	HAXHXA1251	Heat Exchanger Assembly – H250ID		IHXCPA1400	Control Panel Assembly – H400ID1
	HAXHXA1401	Heat Exchanger Assembly – H400ID	33	IHXTRF1930	Transformer
5	HAXWHA0002	Rear Wire Harness	34	IHXMOD1931	Control Module
6	HAXFOR1930	O-Rings	35	HAXBRN1930	Burner Tube
7	HAXNIP1930	Flange Pipe Nipples	36	HAXGSV0004	Gas Valve, Propane
8	HAXNUT1930	Union Nuts		HAXGSV0005	Gas Valve, Natural Gas
10	HAXFCT1930	Flow Control Thermostat	37	HAXMAN1251	Gas Manifold – H250ID1
11	CHXPLG1930	3/4" NPT Brass Plug		HAXMAN1401	Gas Manifold – H400ID1
12	HAXBPK1931	By-Pass Valve Kit	38	HAXBON1930	Burner Orifice, Natural Gas
16	HAXHLI1930*	Hi-Limit 135° F		HAXBON1930	Burner Orifice, Propane
17	HMXHLI2932	Hi-Limit 160° F	39	IHXFAD1250	Front Access Door Assembly – H250ID1
18	HAXDRV1930	Drain Valve Assembly		IHXFAD1400	Front Access Door Assembly – H400ID1
19	CHXPSA1930	Pressure Switch Adapter	40	HAXHOR1930	Header O-Ring
20	HAXTBW1930	Bulb Well, Cotherm	41	CHXGRL1930	TA-2 Ground Lug
21	HAXFHD1930	Front Header Only	42	HAXRHD1930	Rear Header Only
22	IHXLAC1930	Left Access Cover	43	HAXPLG1930	1/4" NPT Brass Plug
23	IHXPHK1930	Plastic Hardware Kit	44	HAXCIA1930	Corner Piece Kit (4)
24	IHXURA1930	Upper Right Access Cover	45	HAXFHA1930	Front Header Assembly
25	HAXLRA1931	Lower Right Access Cover	—	IHXWHE1930	Wire Harness, El. Control (not shown)
26	IHXILS1930	Interlock Switch		IHXWHE1931**	Wire Harness, El. Control (not shown)
27	HAXPSA1930	Pressure Switch Assembly		HAXWFN1930	Header Mounting Nut Kit (Pack of 12)
28	HAXIGN1931	Ignitor Assembly			

NOTES: *Used on heat exchangers made after 10/28/00.

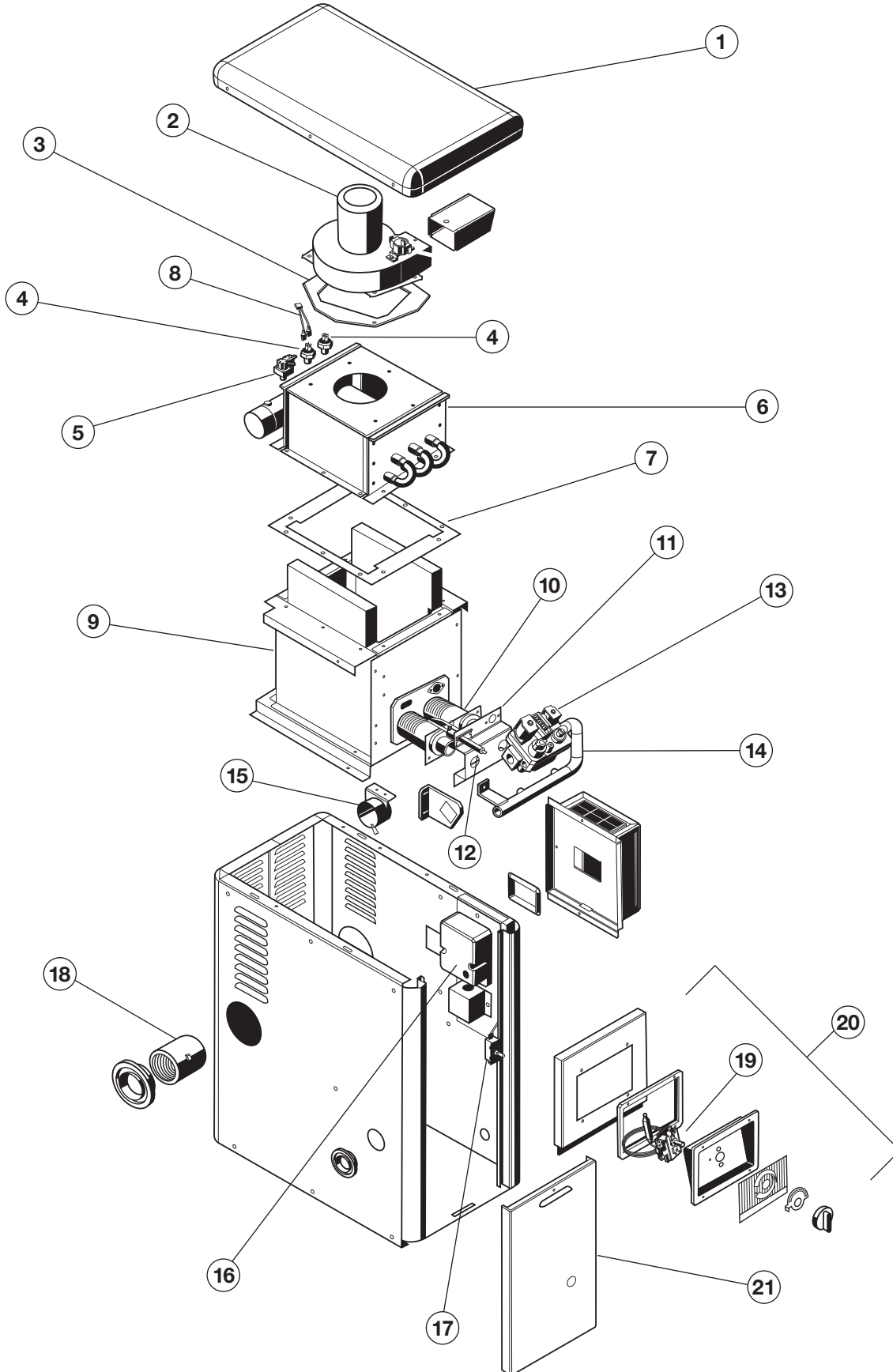
**Used starting at Serial No. 00746213.



H-Series

ABOVE-GROUND – INDUCED DRAFT HEATER REPLACEMENT PARTS

Parts Diagram





Parts Listing

Ref. No.	Part No.	Description	Ref. No.	Part No.	Description
1	IDXJKT1100	Jacket Top	13	IDXVAL1931	Gas Valve
2	IDXBWR1935	Combustion Blower	14	IDXMAN1100	Gas Manifold
3	IDXBLG1930	Blower Gasket	15	IDXAPS1930	Air Pressure Switch
4	IDXHLC1930	Hi Limits, Kit	16	IDXMOD1930	Control Module with Ignitor
5	CZXPRS1105	Water Pressure Switch	17	IDXILS1930	Interlock Switch
6	IDXHXA1100	Heat Exchanger Assembly	18	IDXCPG1931	Coupling
	IDXHXA1101*	Heat Exchanger Assembly	19	IDXTST1930	Thermostat
7	IDXGKT1930	Heat Exchanger Gasket	20	IDXCPA1100	Control Panel Assembly
8	IDXWHA1930	Wire Harness	21	IDXFAD1100	Front Access Door
	IDXWHA1931**	Wire Harness		IDXFAD1101**	Front Access Door
9	IDXBRG1930	Burner Gasket	—	IDXCST1930	Cordset (not shown)
10	IDXBNR1930	Burner			
11	IDXAGK1930	Burner Orifice and Air Orifice Bracket Kit – Natural			
	IDXAGK1931	Burner Orifice and Air Orifice Bracket Kit – Propane	—	IDXCNK1933	Natural to Propane
12	IDXIGN1930	Ignitor	—	IDXCNK1934	Propane to Natural

CONVERSION KITS

NOTES: *Used starting at S/N 29F30088.

**Used starting at S/N 20A01209.